

# SPECIFICATION

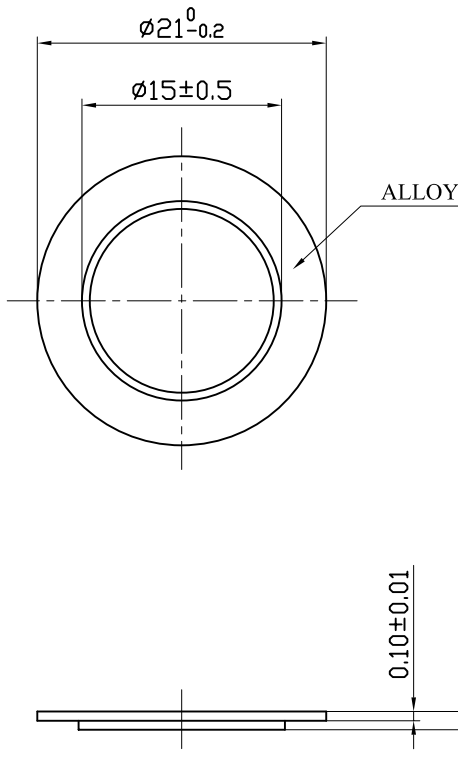
## 1. SCOPE

This specification is applied to the piezo-element.

## 2. SPECIFICATION

(at 25°C)

2.1 Resonant Frequency	:	3.2 ± 0.5 KHz
2.2 Resonant Resistance	:	350 Ω max
2.3 Capacitance	:	30000 pF ± 30% at 100Hz
2.4 Input Voltage	:	30 Vp-p max
2.5 Operating Temperature	:	-20 ~ +60°C
2.6 Storage Temperature	:	-20 ~ +70°C
3. DIMENSION	:	as per figure



TOLERANCES UNLESS NOTED OTHERWISE .X ± .XX ± .XXX ± 90° FORMED +2° ANGLES -1°	DRAWN		KEPO MODEL NO.	CUSTOMER			
	DESIGN		MFT-21N-3.2A1	CUSTOMER NO.			
	CHECKED						
	APPROVED		DWG NO.	VER	1.0	SCALE	
	DATE	06.03.08	KP3.840.819				
	CONTRACT NO.			UNIT	mm	SHEET	
FIRST ANGLE PROJECTION 	AGENCY APPROVAL		<b>KEPO CO., LTD.</b>		TEL: (+86)574-88370330 FAX: (+86)574-88370329		